

# AT2-5

77 mm H x 35 mm W x 77 mm D

## Refrigeration Controller for HT/LT Applications



### Main Features

- Selectable refrigerating or heating control
- Runs on mains power supply
- Direct compressor control through high power 16(5) A
- Auxiliary output configurable in six different operating modes
- Selectable NTC10K or PTC input
- Electrical, off cycle or hot gas defrost
- Temperature, door open alarms
- Optional light control button
- Connectivity to LAE supervisory systems
- UL approved

### Applications

High or low temperature upright cabinets and counters, cold stores, plug-in display cases, control panels, heated cabinets.

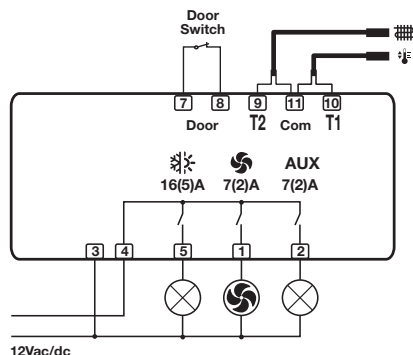
### AT2-5 Series

Functions		BS4E-GI	BS4E-ALI	BS4U-BGI
Inputs	Thermostat	✓	✓	✓
	Evaporator	✓	✓	✓
	Door Switch	✓	✓	✓
Outputs	Thermostat	✓	✓	✓
	Evaporator Fans	✓	✓	✓
	Auxiliary	✓	✓	✓
Power Supply	230 Vac	✓	✓	
	120 Vac			✓
Serial Port	Serial Port TTL		✓	
	Serial Port RS-485			✓
Keypad	Generic	✓		✓
	With Light Button		✓	

### Notes

- A. Models with removable screw terminal blocks are available. In this case, the letter "S" of code changes in "Q", ex. AT2-5BQ4E-AL.
- B. All models come with an alarm buzzer.
- C. Versions with 110V power supply are available.
- D. On request, the AT2-5 is also available with gasket for a better protection between bezel and metal panel.

For more available options, please contact Intermatic customer service: +1 815 675 7000



AT2-5B4E-AG

### Technical Data

Control Range	-50÷120° C
Resolution	0.1 / 1 ° C; ° F
Accuracy	NTC10K: <±0.3° C (-40.0÷70.0° C) PTC1000: <±0.5° C (-50÷120° C)
Sensor Type	selectable NTC10K standard mod. SN4B20P1/P2 or PTC1000
Power Supply	230 V~, ±10%, 50÷60 Hz, 3 W
Front Protection	IP55
Panel Cut-Out H x W	29 mm x 71 mm
Ambient Temperature	-10÷50° C

## Standard Models

Standard Models	Description	Sensor Inputs	Digital Inputs	Terminal Connection	Outputs	Power Supply	Communications	Overlay
<b>AT2-5BS4E-ALI</b>	REF Controller, 2 NTC/PTC, 1 BI, 3 rly, 230 Vac, screw connectors, Lighted buttons, TTL	2	1	Screw	Compressor 16(5)A Fan 7(2)A AUX 7(2)A	230 Vac	TTL	Lighted
<b>AT2-5BS4E-GI</b>	REF Controller, 2 NTC/PTC, 1 BI, 3 rly, 230Vac, screw connectors	2	1	Screw	Compressor 16(5)A Fan 7(2)A AUX 7(2)A	230 Vac	None	Standard
<b>AT2-5BS4U-BGI</b>	REF Controller, 2 NTC/PTC, 1 BI, 3 rly, 115Vac, screw connectors	2	1	Screw	Compressor 16(5)A Fan 7(2)A AUX 7(2)A	115 Vac	RS485	Standard



## Unique Applications

In addition to our standard models, LAE by Intermatic offers a wide range of configuration options that allow customers to customize controls to fit their unique needs and applications. The table below highlights all of the available customization options.

## Product Matrix

Model Prefix	Code Letter / Number	Description	AT2-5	B	S	4	E	-A	G
<b>Inputs</b>	A	Thermostat Probe							
	B	Thermostat Evaporator Probe Door Switch Input							
<b>Connectors</b>	Q	Quick Connect Terminals							
	S	Screw Terminals							
<b>Outputs</b>	4	Thermostat Relay (16(4)A) FANS (7(2)A) AUX Relay (7(2)A)							
<b>Power Supply</b>	D	12 Vac/dc							
	E	230 Vac							
	L	24 Vdc							
	U	110 Vac							
<b>Communications</b>	-	None							
	-A	TTL Serial Port							
	-B	RS485 Serial Port							
<b>Overlay Artwork</b>	G	Standard Version							
	L	With Lights Button							

\* Note: Not all configurations are available for each model.